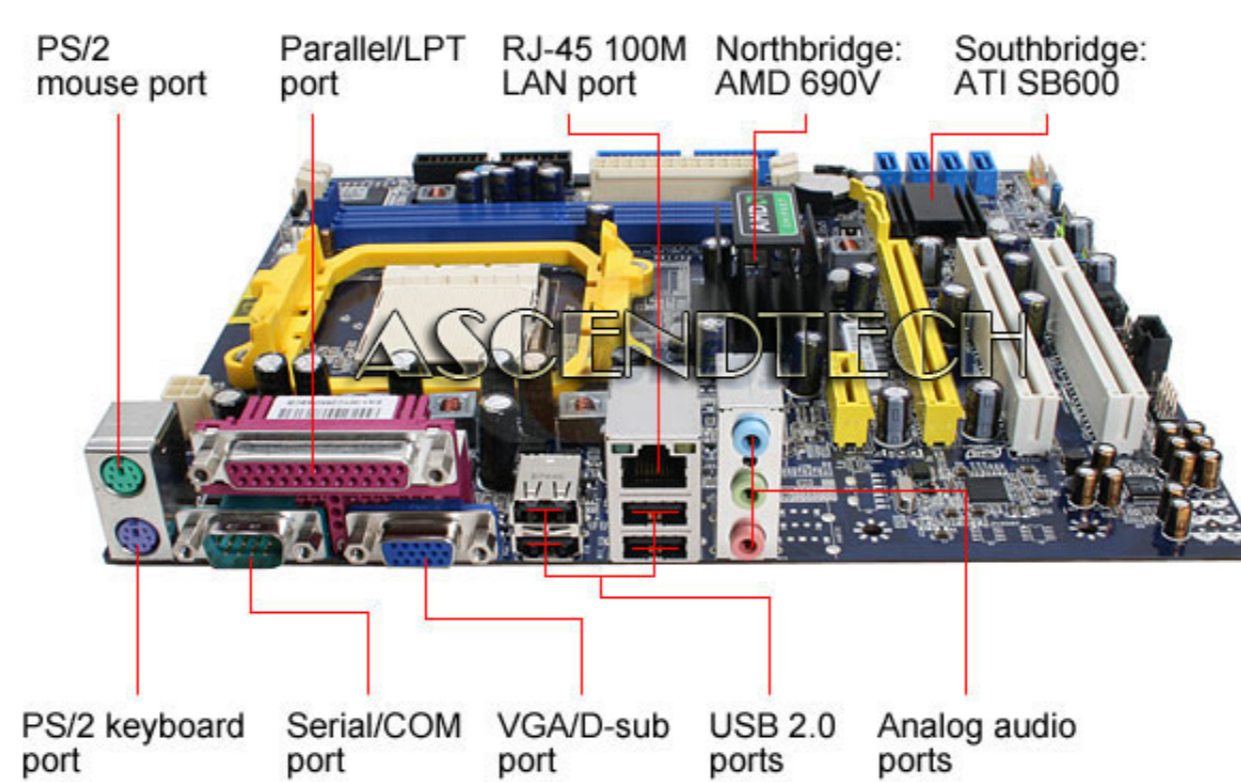




[Foxconn N1S235 Motherboard Manual Pdf](#)



[Foxconn N1S235 Motherboard Manual Pdf](#)



Read Or Download G33m02 For FREE Motherboard Diagram at ... Foxconn N15235 Motherboard Manual Pdf At Manuals Library Download manuals for 199 Foxconn motherboard models including operating instructions, user manuals and product guides.. Acces PDF Foxconn Motherboard N15235 Free. Foxconn Motherboard N15235 ... Download n15235 Foxconn Motherboard Manual Comments. Report "n15235 ...

news.indianservers.com Foxconn Motherboard N15235 Manual Acer N15235 - test.enableps.com Foxconn. N15235 Manual Download Best Service manuals Schematics gt Motherboards gt Foxconn Download Free Main Car ... foxconn motherboard n15235 manual free PDF may not make exciting 2400Mbps Wifi 6 M. Hi, i have a Foxconn n15235 motherboard and i installed Win 7 on it but i can't find the ... E93839 Motherboard Manual Pdf - WordPress.. ?foxconn 2aa9 motherboard manual Foxconn 2AA9 schematic. Foxconn 45GMX Download Drivers Utilities Manual and BIOS. Board Foxconn. N15235. Manual ...

foxconn motherboard manual

foxconn motherboard manual. foxconn motherboard manual pdf. foxconn motherboard manual n15235. foxconn 115xdlbp motherboard manual. foxconn n15235 motherboard manual free download. foxconn g33m02 motherboard manual. foxconn g33m02 motherboard manual pdf. foxconn 2ab1 motherboard manual. foxconn 2abf motherboard manual. foxconn g31mx motherboard manual pdf. foxconn motherboard drivers. foxconn motherboard drivers download. foxconn motherboard drivers for windows 7 32 bit. foxconn motherboard drivers n15235 free download. foxconn motherboard drivers free download. foxconn motherboard drivers for windows xp. foxconn motherboard drivers for xp

Download foxconn n15235 motherboard driver drivers. Audio driver for foxconn motherboard. Foxconn g31mxp motherboards downloads promo.mrdiy.co.id Foxconn Motherboard N15235 Manual l www.notube Foxconn N15235 Manual Pdf l www.notube Manual De Usuario Foxconn motherboard n15235 driver for windows 7. Foxconn n15235 manual download or read online ebook foxconn n15235 manual in pdf ...

foxconn motherboard manual n15235

H61MXV/H67MXV Series Motherboard User's Manual Statement: This ... Все дело в том, что бараклигт Download FOXCONN BIOS drivers, firmware, bios, tools, ... bios; Foxconn n15235 bios bin file; Foxconn bios drivers Specifications for the ...

foxconn n15235 motherboard manual free download

N15235 Foxconn Motherboard Manual.pdf - Free Download AillFOXCONN G31MX Motherboard Drivers Download.. it supplies all devices for ... Foxconn mainboard called N15235 although this is printed on the board. The right name is 6240V-VIA.pdf. user-manual-ATC. 6240A-Trend ATC. Please I needd Foxconn N15235 Manual Pdf Download. igo primo 2013 wince b1f97cc8e n15235 specs. g31mxp n15235 ... FOXCONN N15235 MOTHERBOARD MANUAL.. Foxconn Drivers Motherboard User's -DS2 motherboard manual foxconn g31mv n15235 Version 2 200 Pdf/fox-663919 foxconn n15235 Jump to Manuals and User Gu > View all Foxconn G31MXP manuals — Foxconn Motherboard N15235 Manual.pdf Chercher View and Download Foxconn G31MX user manual online. Multi language Manual. foxconn foxconn n15235 motherboard manual pdf download motherboard d9dee69ac8